



# GAS STOVES



[regency-fire.com](http://regency-fire.com)

# REGENCY CONTURA RC500E

Medium Gas Stove



RC500E shown in black cast with volcanic stones and rear venting (unit shown without mandatory safety screen).

## 3-SIDED GAS STOVE

The Regency Contura RC500E gas stove boasts a sleek and fresh design that compliments any contemporary space. The fire is presented in a curved 3-sided panoramic view where clean lines and monochrome colors serve to emphasize the tall and radiant flames. Available in black or white, you can customize this modern gas stove with a bed of crushed glass, volcanic stones or a traditional log.

SPECIFICATIONS	NATURAL GAS	PROPANE
Maximum BTU	23,000	22,000
Turn down to (BTU)	16,000	18,000
Efficiency (steady state)	67.13%	66.85%
EnerGuide rating (Canada only)	60.38%	61.42%



RC500E shown in white cast with glass door & top with traditional logs and top venting (unit shown without mandatory safety screen).

## STANDARD FEATURES

- View the stunning flame from three sides
- Interior lights for added ambiance
- Variable speed blower
- Natural gas
- Safety screen
- Electronic ignition with remote control
- Modulating flame adjustment
- Battery back up system keeps the heat on in the event of a power outage
- Direct vent
- Reversible flue for top or rear venting

## OPTIONS

- Available in black cast or white with glass door & top
- Your choice of crystals, volcanic stones or traditional logs
- Propane conversion kit
- AstroCap™ Venting System
- Vertical or horizontal direct vent terminations



RC500E shown with safety screen

# REGENCY ULTIMATE™ U38 • U39 • U39E

## Medium Gas Stoves



U39E shown with wrap around brushed nickel door, brushed nickel louvers and traditional log set (unit shown without mandatory safety screen).

### MODERN FIRE

The Ultimate Gas Stoves Series is framed with clean, modern lines that provide exceptional views of a stunning fire accentuated by the wraparound design to enhance your enjoyment of the flames. With controllable heat settings, your Ultimate fire can be set to the maximum to provide high efficiency or turned down to maintain ambiance with less heat. Warm-up your kitchen, bedroom, or den with these efficient and versatile gas stoves.

SPECIFICATIONS (NATURAL GAS)	U38	U39	U39E
Maximum BTU	38,000	38,000	38,000
Turn down to (BTU)	26,000	26,000	26,000
Efficiency (steady state)	71.63%	77%	77%
EnerGuide rating (Canada only)	63.94%	73.45%	73.45%

SPECIFICATIONS (PROPANE)	U38	U39	U39E
Maximum BTU	34,000	38,000	38,000
Turn down to (BTU)	27,500	30,000	30,000
Efficiency (steady state)	71.71%	77.80%	77.80%
EnerGuide rating (Canada only)	64.59%	75.68%	75.68%



U38 shown with wrap around black door, black louvers and driftwood log set (unit shown without mandatory safety screen).

## STANDARD FEATURES

- Natural gas
- Safety screen
- Flame height adjustment
- Electronic Ignition (U39E)
- Millivolt system with proflame remote control (U38, U39)
- Proflame II Remote Control (U39E)
- B-vent (U38)
- Direct Vent (U39, U39E)
- Black steel pedestal
- Variable speed blower
- 1-piece wrap around door in brushed nickel or black
- Battery back up system keeps the heat on in the event of a power outage

## OPTIONS

- Choose between natural oak or driftwood logs
- Brushed nickel or black louvers
- Wall thermostat
- BTU reduction kit
- Propane conversion kit
- AstroCap™ Venting System (U39, U39E)
- Vertical or horizontal direct vent terminations (U39, U39E)



U38 shown with safety screen

# REGENCY HAMPTON H15 • H27 • H35

Small, Medium & Large Gas Stoves



H27 shown with decorative glass grille in charcoal gray finish.

## HIGH-EFFICIENCY HEAT

Our Hampton series of gas stoves combines the timeless charm of cast iron stoves with unmatched fire and log packages for a truly stunning experience. Enjoy the ultimate convenience of instant gas fire at the touch of a button with the mesmerizing view of tall flames in a freestanding cast iron stove. Available in three sizes, Hampton gas stoves bring warmth to your home while providing high efficiency heat to save money on heating bills.

<b>SPECIFICATIONS (NATURAL GAS)</b>	<b>H15 SMALL</b>	<b>H27 MEDIUM</b>	<b>H35 LARGE</b>
Maximum BTU	18,000	25,000	30,000
Turn down to (BTU)	12,700	18,000	21,500
Efficiency (steady state)	61.97%	67.63%	75.27%
EnerGuide rating (Canada only)	55.33%	61.22%	70.86%

<b>SPECIFICATIONS (PROPANE)</b>	<b>H15 SMALL</b>	<b>H27 MEDIUM</b>	<b>H35 LARGE</b>
Maximum BTU	18,000	22,000	29,500
Turn down to (BTU)	15,500	17,500	24,000
Efficiency (steady state)	63.69%	66.51%	75.77%
EnerGuide rating (Canada only)	57.46%	63.07%	71.97%



H35 shown with decorative glass grille in timberline brown enamel finish.

## STANDARD FEATURES

- Natural Gas
- Accent light
- ProFlame II remote control (GTMFL)
- Thermostat (built into remote)
- Modulating flame adjustment
- Light
- Safety screen
- Cast grille
- Ceramic glass
- Reversible flue for top or rear venting

## OPTIONS

- Charcoal gray or timberline brown enamel finish
- Brick panels in red or brown (H35)
- Variable speed blower
- Wall thermostat
- AstroCap™ vent system
- Color match vent paint
- Propane conversion kit
- Standing pilot models available in select regions

# REGENCY CLASSIC™ C34 • C34E

## Small Gas Stove



C34 shown with black legs, black door and safety screen.

### CLASSIC FIRE

The Regency Classic gas stoves seamlessly blends the classic aesthetics of wood stoves with the modern convenience of gas. These stoves do not require an existing chimney and can be installed with a direct vent to use outside air for combustion, allowing your home to maintain an everlasting cozy ambiance. This Classic series, like all Regency gas stoves, operates safely without electricity - keeping you warm with radiant heat.

SPECIFICATIONS (NATURAL GAS)	C34	C34E
Maximum BTU	32,000	32,000
Turn down to (BTU)	21,000	21,000
Efficiency (steady state)	71.68%	71.68%
EnerGuide rating (Canada only)	n/a	64.89%

SPECIFICATIONS (PROPANE)	C34	C34E
Maximum BTU	29,000	29,000
Turn down to (BTU)	23,000	23,000
Efficiency (steady state)	72.02%	72.03%
EnerGuide rating (Canada only)	n/a	65.82%

### STANDARD FEATURES

- Natural gas or propane
- Beautiful fire with glowing logs
- Safety screen
- Flame height adjustment
- Millivolt system with Proflame remote control (C34)
- Electronic Ignition with Proflame II remote control (C34E)
- Direct Vent
- Convector Airmate
- Heavy-duty ceramic safety glass
- Battery back up system keeps the heat on in the event of a power outage

### OPTIONS

- Wall thermostat
- Variable speed blower
- Black steel pedestal base
- Cast iron door in black\*\* or nickel accent
- Cast iron legs in brushed nickel or black
- Bottom heat shield (when using legs)
- AstroCap™ Venting System
- Vertical or horizontal direct vent terminations

\*\* Black doors come with black wood handles & black hinge caps

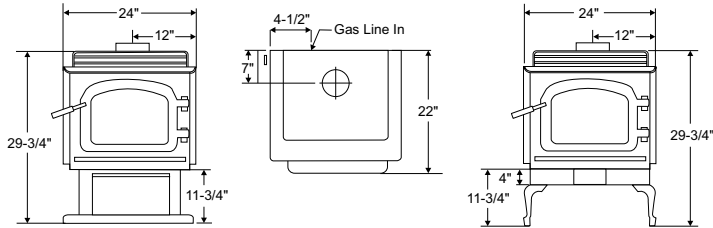


# SPECIFICATIONS

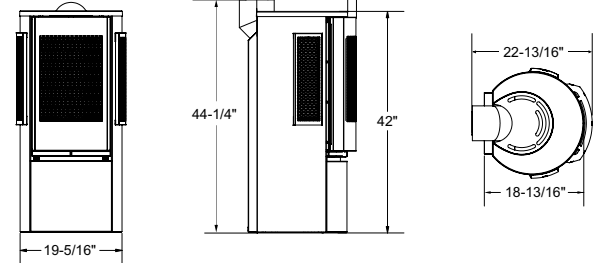
## DIMENSIONS

### C34E

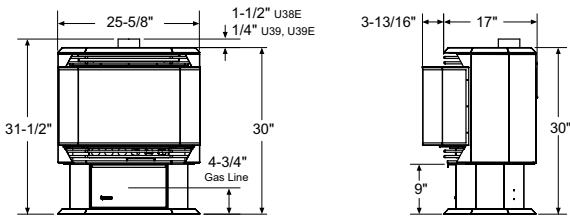
#### PEDESTAL



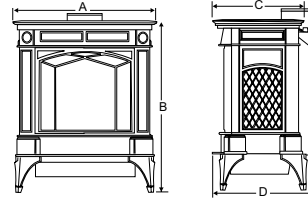
### RC500E



### U38, U39 FRONT & SIDE



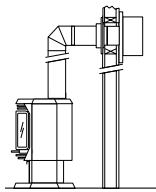
### H15, H27, H35 FRONT & SIDE



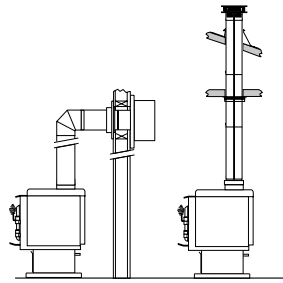
	H15	H27	H35
A	20-11/16"	24-9/16"	27-1/2"
B	23-1/8"	27-3/16"	28-1/8"
C	14-1/4"	15-5/8"	21-3/16"
D	17-13/16"	18-13/16"	22-13/16"
Shipping Weight	198 lbs	227 lbs	322 lbs

## VENTING OPTIONS

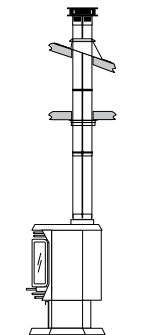
### U39



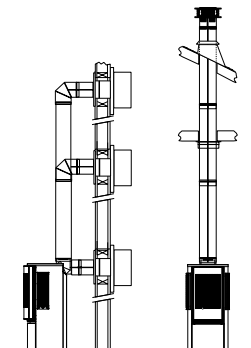
### C34



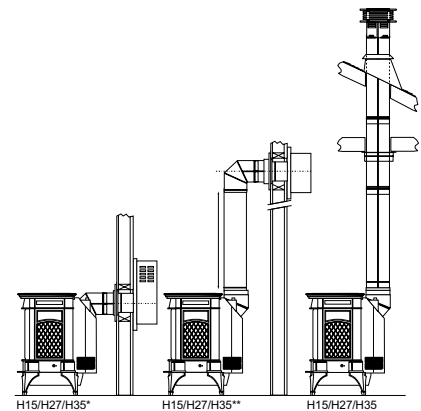
### U38, U39



### RC500E



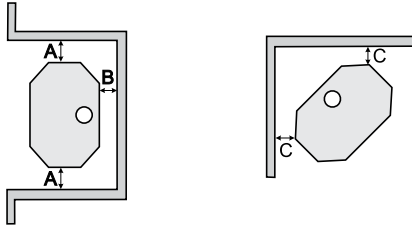
### H15, H27, H35



\* The H15 can be vented horizontally with the AstroCap™ system. For rear vent applications, H27 and H35 require a riser vent.  
 \*\* H35 requires minimum 1 ft. rise.

# CLEARANCES

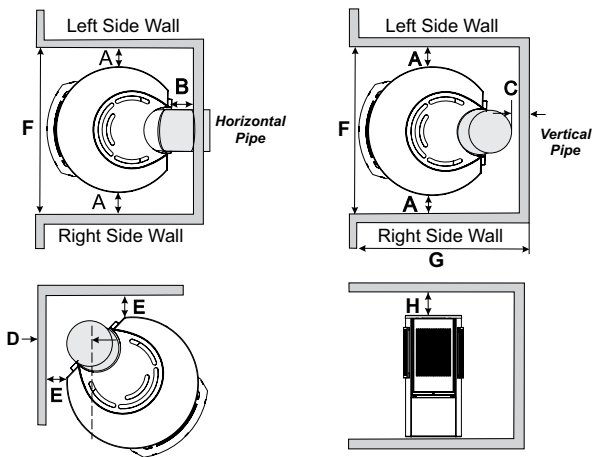
## CLEARANCES TO COMBUSTIBLES - U38, U39 & C34



CLEARANCES TO COMBUSTIBLES	U38 B-VENT	U39 DV TOP	C34 DV
A - Side Wall To Unit	7-1/2"	7-1/2"	10"
B - Back Wall To Unit	6"	6"	6"
C (corner) - Side Wall to Unit	2"	2"	1-1/2"

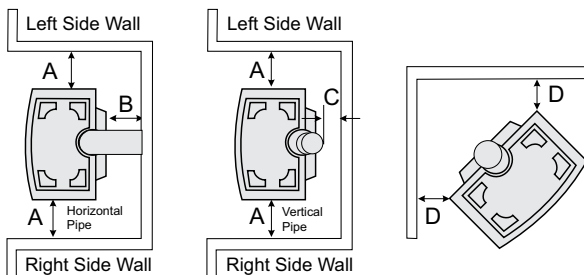
B\* - Rear wall clearance is a temperature issue and necessary for drafting purposes. Do not reduce clearance under any circumstances.

## CLEARANCES - RC500E



CLEARANCES		
A	Left/Right Side Wall to Unit	9"
B	Back Wall to Unit	2"
C	Vertical Vent Pipe to Back Wall	2"
D	Wall to Centerline of Pipe	8-3/4"
E	Unit Corner to Wall (Top Vent)	4"
	Unit Corner to Wall (Rear Vent)	5-3/4"
F	Alcove Width	50"
G	Alcove Depth	36"
H	Minimum Ceiling from Top of Unit	15"

## CLEARANCES - H15, H27, H35



CLEARANCES TO COMBUSTIBLES	H15	H27	H35
A - Side Wall To Unit	6"	6"	6-1/2"
B - Back Wall To Unit	0"*	3"	6"
C - Vertical Vent to Back Wall	2"	2"	2"
D - Side Wall To Unit (Corner)	2"	2"	2"

Minimum clearance of vent terminal to outside corner and inside corner: AstroCap™ 6", Dura-Vent Cap 12".

\*It is recommended that the unit is moved away from wall, if installing the blower option so the fan can be easily installed/serviced.

# OPTIONS

FEATURES & ACCESSORIES		RC500E	C34	C34E	U39	U39E	U38	H15U	H15E	H27U	H27E	H35U	H35E
Standing Pilot*		•	✓	•	✓	•	✓	✓	•	✓	•	✓	•
Electronic Ignition		✓	•	✓	•	✓	•	•	✓	•	✓	•	✓
Handheld Remote GTMF		✓	✓	✓	✓	✓	✓	•	✓	•	✓	•	✓
Handheld On/Off Thermostat Remote		•	•	•	•	•	•	910-399	•	910-399	•	910-399	•
On/Off Switch		•	•	•	•	•	•	✓	•	✓	•	✓	•
Flame Modulation		✓	✓	✓	✓	✓	✓	manual	✓	manual	✓	manual	✓
Stepper Moter		✓	✓	✓	✓	✓	✓	•	✓	•	✓	•	✓
Fan Kit		✓	★	★	✓	✓	✓	★	★	★	★	★	★
Fan Control		remote	remote	remote	remote	remote	remote	manual	remote	manual	remote	manual	remote
Wall Thermostat	Basic - 910-407	★	★	★	★	★	★	★	★	★	★	★	★
	Programmable - 910-404/p	★	★	★	★	★	★	★	★	★	★	★	★

- Not available
- ✓ Standard
- ★ Optional

\*Standing Pilot 821 models available in select regions.

## COMFORT CONTROLS



Fire Genie Remote



Proflame remote



Proflame II remote



Wall Thermostat

Turn your fire on and off with our comfort remote controls. They can be used as a thermostat, allowing you to set and automatically maintain the desired temperature no matter where in the room you are sitting.

A Regency wall thermostat is a hands-free solution that helps you maintain a constant temperature in your home. Choose the programmable wall thermostat and set different temperatures throughout the day to match your lifestyle.

## MAXIMIZING COMFORT AND EFFICIENCY

Direct vent technology allows you to install a Regency stove almost anywhere in your home - no chimney is needed. From the top of the unit, simply vent your stove through an exterior wall. Direct vent units have a sealed combustion chamber; outside air is used for combustion resulting in a warmer home and improved indoor air quality.

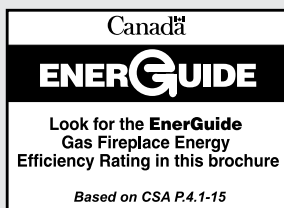
## ENJOY YOUR REGENCY — FOR LIFE

You'll be happy with your Regency for years to come; our Limited Lifetime Warranty guarantees it. Not only have we invested in quality workmanship, the finest materials, and durable, heavy-duty construction, but we have carefully selected a dealer network that is committed to your satisfaction. We know that you will be as proud of your Regency as we are.





Find More Products at [REGENCY-FIRE.COM](https://www.regency-fire.com)



© 2023 FPI Fireplace Products International Ltd. Regency®, Regency Ultimate™, Regency Classic™, Hampton®, Contura™ and AstroCap® are the registered and/or proprietary trademarks of FPI Fireplace Products International Ltd.  
Printed in Canada (11/23)  
Part no. 944-220

Your Regency Dealer