



# CONTEMPORARY GAS FIREPLACES



[regency-fire.com](http://regency-fire.com)

# WHY CHOOSE REGENCY?

For the past 40+ years Regency has been focused on creating innovative, high-quality and reliable products that reduce heating costs and add true value to the home. We design all our products to be durable and last a lifetime so that our customers can enjoy them for years to come.

## HIGH-QUALITY

Producing a high-quality product has been at the very heart of what we do from when that very first stove rolled off the production line over 40 years ago to today. We are ever-focused on producing quality products for our customers that will last for years to come.

## BEST WARRANTY

A fireplace should be reliable and should work right the first time it is used, and the 1,000<sup>th</sup>. A core part of our business is making sure that we are building long-lasting, durable, high-quality products; we back-up that commitment with the industry's best warranty on all our products.

## COST-EFFICIENT

Never before have home heating costs been higher. Turn your furnace way down and zone heat with our beautiful, reliable and convenient Regency products. Not only can you cut your fuel bills in half, but you'll be able to enjoy the timeless comfort of a Regency fire.

Why Regency? Because it's *more* than a fireplace!



# TABLE OF CONTENTS

Regency Ultimate™ Gas Fireplaces	
<b>U1500E</b>	<b>04</b>
<b>U900E</b>	<b>06</b>
Regency Horizon® Gas Fireplaces	
<b>HZ54E</b>	<b>08</b>
<b>HZ40E</b>	<b>10</b>
Grandview Gas Fireplaces	
<b>G800 &amp; G600</b>	<b>12</b>
Design Options	<b>14</b>
Accessories	<b>16</b>
Specifications	<b>18</b>



# REGENCY ULTIMATE™ U1500E

Large Contemporary Gas Fireplace



U1500E shown with black contemporary inner door frame.\*\*

## COST-EFFICIENT HEATING

Enjoy a wide landscape view of our most realistic log sets and glowing ember-bed with the U1500E Ultimate gas fireplace. The Ultimate series features a seamless design, coastal driftwood logs set upon a glowing linear ember-bed, and beautiful wide-angle flames enhanced by reflective black enamel side panels.

SPECIFICATIONS	NATURAL GAS	PROPANE
Input (BTU)	43,000	42,000
Turn down to (BTU)	29,000	33,500
Efficiency (steady state)	73.72%	74.67%
EnerGuide Rating (Canada only)	67.46%	69.64%

DIMENSIONS	
Viewing Area	611 sq. in. 45-1/4" x 13-1/2"
Width (Clean finish)	49-11/16"
Height (Clean finish)	18-11/16"

For additional surround dimensions see page 21.  
For detailed specifications please see pages 18-20.



U1500E shown with inner door frame and premium glass surround in black.

## STANDARD FEATURES

- Natural gas
- Safety screen
- Glowing linear ember bed
- Ceramic burner & driftwood log set
- Black enamel reflective side panels
- Electronic ignition
- Variable speed blower
- Proflame II GTMF remote control system
- Direct vent
- Limited lifetime warranty

## OPTIONS

- Contemporary inner door frame & black surround
- Inner door frame in black
- Premium glass surround in black
- Flush finish option (no outer frame required)
- Optional finishing trim for clean edge finish
- Steel stud framing kit (recommended)
- AstroCap® venting system
- HeatWave™ power duct kit
- Propane conversion kit

# REGENCY ULTIMATE™ U900E

Medium Contemporary Gas Fireplace



U900E shown with black contemporary inner door frame.\*\*

## ULTIMATE FLAME PACKAGE

The Regency ultimate linear gas fireplace showcases our best-in-class flame and log package. Perfect for modern spaces and open concept living areas, clean-burning heat is distributed throughout your home. The black enamel reflective panels accentuate the fire to create the perfect ambiance.

SPECIFICATIONS	NATURAL GAS	PROPANE
Input (BTU)	34,000	31,500
Turn down to (BTU)	23,500	25,000
Efficiency (steady state)	73.31%	73.77%
EnerGuide Rating (Canada only)	68.28%	69.49%

DIMENSIONS	
Viewing Area	455 sq. in. 35" x 13"
Width (Clean finish)	39-3/8"
Height (Clean finish)	17-11/16"

For additional surround dimensions see page 21.  
For detailed specifications please see pages 18-20.



U900E shown with black contemporary inner door frame.

## STANDARD FEATURES

- Natural gas or propane
- Safety screen
- Glowing linear ember bed
- Ceramic burner & driftwood log set
- Black enamel reflective side panels
- Electronic ignition
- Variable speed blower
- Proflame II GTMF remote control system
- Direct vent
- Heat exchanger
- Limited lifetime warranty

## OPTIONS

- Contemporary inner door frame & black surround
- Inner door frame in black
- Premium glass surround in black
- Flush finish option (no outer frame required)
- Optional finishing trim for clean edge finish
- Steel stud framing kit (recommended)
- AstroCap® venting system
- HeatWave™ power duct kit

# REGENCY HORIZON® HZ54E

Large Contemporary Gas Fireplace



HZ54E shown with stainless steel inner door frame and faceplate, black enamel reflective panels and black crystals.\*\*

## STUNNING CONTEMPORARY STYLE

The Regency Horizon HZ54E offers a wide-angle view of our unique and dramatic flame, perfect for contemporary homes and open concept living spaces. Inner reflective panels amplify the appearance of this stunning fire. Contemporary styling is paired with practical function, delivering consistent, controllable heat – even during power outages.

SPECIFICATIONS	NATURAL GAS	PROPANE
Input (BTU)	41,500	37,000
Turn down to (BTU)	29,000	30,000
Efficiency (steady state)	69.36%	72.02%
EnerGuide Rating (Canada only)	64.45%	67.72%

DIMENSIONS	
Viewing Area	685 sq. in. 45-7/8" x 14-15/16"
Width (Clean finish)	56-11/16"
Height (Clean finish)	25-1/8"

For additional surround dimensions see page 21.  
For detailed specifications please see pages 18-20.





HZ54E shown with black inner door frame and faceplate, black enamel reflective panels, crystals and volcanic stones.



HZ54E shown with inner door frame and verona glass surround in black, black enamel reflective panels, black crystals and driftwood log set.

## STANDARD FEATURES

- Natural gas or propane
- Safety screen
- 40" burner covered with crystals (purchased separately)
- Electronic ignition with SureFire™ switch
- Proflame I GTMF remote control
- Direct vent
- Limited lifetime warranty

## OPTIONS

- Contemporary inner frame & faceplate in black or brushed stainless steel
- Verona black glass surround
- Black enamel inner reflective panels
- Ceramic spa stones, volcanic stones
- Crystals in various colors
- Firebeads in various colors
- Natural river pebbles
- Driftwood log set
- Wall thermostat
- AstroCap® venting system
- Variable speed blower
- HeatWave™ power duct kit
- Steel stud framing kit (recommended)

# REGENCY HORIZON® HZ40E

Medium Contemporary Gas Fireplace



HZ40E shown with inner door frame and Verona glass surround in black, black enamel inner panels, black crystals and driftwood log set.\*\*

## IMPRESSIVE FIRE

The HZ40E is a dramatic contemporary fireplace that includes today's sleek, wide contemporary fireplace styling in any medium size living space. You can add a tasteful surround in a variety of modern finishes or enjoy a clean finish with no louvers or faceplates. What sets the Regency Horizon apart from all others is the strong, impressive fire that appears like magic through a firebed of crystals or spa stones.

SPECIFICATIONS	NATURAL GAS	PROPANE
Input (BTU)	26,000	25,500
Turn down to (BTU)	18,000	21,000
Efficiency (steady state)	69.70%	72.03%
EnerGuide Rating (Canada only)	64.44%	66.75%

DIMENSIONS	
Viewing Area	444 sq. in. 35-1/2" x 12-1/2"
Width (Clean finish)	39-13/16"
Height (Clean finish)	16-7/8"

For additional surround dimensions see page 21.  
For detailed specifications please see pages 18-20.



HZ40E shown with inner door frame and Verona faceplate in stainless steel, black firebeads and black enamel inner panels.\*\*



HZ40E shown with black inner door frame, volcanic stones and black enamel inner panels.

## STANDARD FEATURES

- Natural gas or propane
- Safety screen
- 30" burner covered with crystals (purchased separately)
- Electronic ignition with SureFire™ switch
- Proflame I GTMF remote control
- Direct vent
- Limited lifetime warranty

## OPTIONS

- Flush finish option (no outer frame required)
- Contemporary outer faceplate in 2 colors (in 2 styles)\*
- Contemporary inner door frame in 2 colors
- Verona black glass surround
- Black enamel inner reflective panels
- Ceramic spa stones, volcanic stones
- Crystals in various colors
- Firebeads in various colors
- Natural river pebbles
- Driftwood log set
- Wall thermostat
- Variable speed blower
- AstroCap® venting system
- HeatWave™ power duct kit
- Steel stud framing kit (recommended)

\*must also purchase inner door frame with this option

\*\*NOTE: The wall above fireplace is non-combustible

# REGENCY GRANDVIEW G600 • G800

Medium and Large Gas Fireplaces with Contemporary Options



G600C shown with driftwood log set and black inner steel panels.

## ONE FIREPLACE, UNLIMITED POSSIBILITIES

Designed using customer feedback, the Regency Grandview gas fireplace is our most flexible fireplace yet! The Grandview series offers stunning flame pictures and full customization, allowing homeowners to pick and choose the accessories and elements that best suit their style – with over 960 combinations, there is a Grandview for every home and every style.

Choose from traditional installation or utilize Regency's patented Cool Wall System to provide ultimate design flexibility. The Regency Cool Wall system allows the use of virtually any material to the edge of the fireplace or the placement of TVs or artwork directly above the fire; without any limitations.

### COOL WALL SYSTEM ADVANTAGES

- Place a TV above the fireplace without it getting damaged
- Hang artwork without fear of warping
- Paint will not discolor, drywall will not crack
- No internal fans required
- Use any finish right to the edge of the fire, even wood or wallpaper

DIMENSIONS	G600	G800
Viewing Area	600 sq. in.	800 sq. in.
Width	31-7/8"	35-7/8"
Height	29-7/8"	35-7/8"
Depth	14-5/8"	16-7/8"



G800C shown with coal black crushed glass and painted black steel panels installed with a clean front finish using the cool wall system and chase vent.



Iceberg crushed glass, black steel panels and black faceplate



Ginger crushed glass and antique copper faceplate



Iceberg crushed glass, volcanic stones and black steel panels

## STANDARD FEATURES

- Clean front design
- Largest viewing area in its class
- Integrated safety screen
- Ceramic glass
- Flame height adjustment control
- Standing Pilot (Direct Spark Ignition available)
- Electronic Ignition with Proflame II  
GTMF remote control
- Rear or top vent for versatile installations
- Natural gas
- Limited lifetime warranty

## OPTIONS

- Choose from a variety of media options: Crushed glass, volcanic stones or driftwood log set
- Cool Wall system to allow for any finishing material right to the edge of the fireplace
- Inner reflective panels in black enamel
- Inner painted black steel panels
- Surrounds in various colors
- Finishing trims for easy finishing around the fireplace
- Variable speed blower
- Chase vent (cool wall installations)
- Propane conversion kit
- ON/OFF remote control (Standing Pilot Model)
- AstroCap® venting system

Learn More at [regency-fire.com/grandview](https://regency-fire.com/grandview)

# INTEGRATED FIREPLACE SOLUTIONS



## DESIGN OPTIONS

### FLUSH/CLEAN EDGE DESIGN OPTION



U1500E/U900E



HZ40E

### METAL SURROUNDS



Inner and outer frame  
U1500E/U900E



Inner and outer frame  
HZ40E/HZ54E



Verona Metal Faceplate  
HZ40E

### GLASS SURROUNDS



Verona Glass Surround  
U1500E/U900E



Verona Glass Surround  
HZ54E



Verona Glass Surround  
HZ40E

# FIREBED OPTIONS

## CRYSTALS & FIREBEADS



Crystals - Black



Crystals - Copper



Crystals - Starfire



Firebeads - Black



Firebeads - Caramel Luster



Firebeads - Glacier Ice

## STONES & LOGS



Volcanic Stones - Gray



Volcanic Stones - Tan



Ceramic Spa Stones



Driftwood Ceramic Log Set

## INNER PANELS



Reflective  
Black Enamel Panels



Natural River Pebbles

## ACCENT PEBBLES

## FINISHING OPTIONS



Metal Surround - Black



Metal Surround -  
Stainless Steel



Glass Surround -  
Pure Black

# OPTIONS

ACCESSORIES - AT A GLANCE			U1500E	U900E	HZ54E	HZ40E
Clean edge design option			✓	✓	•	✓
Metallic surrounds	Faceplates & Verona surrounds	Black	★	★	★	★
		Brushed stainless steel	•	•	★	★
	Finishing trim	Black	★	★	•	•
Glass surrounds	Verona glass surrounds	Pure black	★	★	★	★
Safety screen			✓	✓	✓	✓
Interior options	Regency Horizon firebed	Crystals - various colors	•	•	★	★
		Firebeads - various colors	•	•	★	★
		Ceramic spa stones	•	•	★	★
		Volcanic stones	•	•	★	★
	Driftwood ceramic logs		✓	✓	★	★
	Accent pebbles (for firebox floor)	Natural river pebbles	•	•	★	★
	Inner panels	Black enamel	✓	✓	★	★
Controls	Remote controls	Proflame GTMF	✓	✓	✓	✓
		Proflame GTMFS	•	•	•	•
	Wall mounted on/off switch		✓	✓	✓	✓
	Thermostat		•	•	★	★
Variable speed blower			✓	✓	★	★
Venting	Direct vent		✓	✓	✓	✓
	AstroCap® venting system		★	★	★	★
	HeatWave power duct kit		★	★	★	★
LP conversion kit			★	•	•	•

- Not available
- ✓ Standard
- ★ Optional

## SPREAD THE WARMTH

### ZONE HEATING WITH REGENCY

Add a fireplace to your most frequently used living space and save energy by only heating rooms you use.

### HEAT ADJACENT ROOMS WITH THE HEAT WAVE™ - POWER DUCT SYSTEM

Cut down on your heating costs using a Heat Wave kit. The Heat Wave system attaches onto most Regency gas fireplaces, allowing you to direct heat into rooms up to 20 feet away. This kit comes complete with vent, variable speed blower (for HeatWave system only), and vent register.



# OPTIONS

## REGENCY REMOTES AND THERMOSTATS

Create optimal comfort with ease and convenience at the touch of a button with the Regency comfort control system. Our **user friendly programmable controls** can be set, adjusted and programmed for your fireplace to come on at the temperature you want, when you want it. Regency control systems are available with a variety of features to suit your home heating needs.



Proflame I & II GTMF Remote Control



Programmable Thermostat

FEATURE	DESCRIPTION	PROFLAME REMOTE		PROGRAMMABLE THERMOSTAT
		GTMF	GTMFS	
On/Off		✓	✓	✓
Child lock		✓	✓	•
LCD backlit screen		✓	✓	✓
Clock		•	•	✓
Temperature display	°F / °C	✓	✓	✓
Thermostat	one setting (all days)	✓	✓	✓
	5-day weekday & 2-day weekend	•	•	✓
Smart thermostat*		✓	✓	•
Flame adjustment	(6 levels)	✓	✓	•
Split flow burner control	(back burner on/off)	•	✓	•
Fan control**	(6 levels)	✓	✓	•
Accent light (On/Off)***		✓	✓	•

- Not available
- ✓ Standard

\* Smart thermostat - Rather than a thermostat that simply turns your fireplace on and off, the Smart Control function allows you to set your desired room temperature. As the room reaches your personal setting, the flame intensity and heat gradually decrease - keeping the ambience of your Regency fire on with less heat output and the option to turn it off at any time.

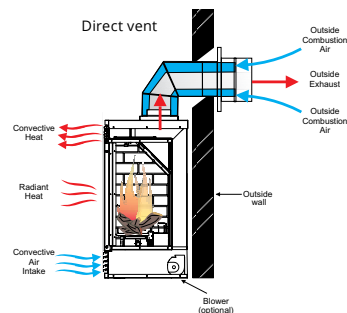
\*\* For models that have a blower.

\*\*\* For models that have an optional accent light.

## MAXIMIZING COMFORT AND EFFICIENCY

Regency fireplaces deliver controllable heating solutions by combining the latest in radiant/convection heat technology and innovative features:

- Adjustable flame/heat control
- Heat radiating ceramic glass for maximum radiant heat
- SureFire electronic ignition switch with battery backup features fuel saving intermittent pilot ignition that conserves energy when not in use
- **Power's Out, Heat's On.** All Regency gas fireplaces operate safely without electricity. Never worry about being cold during a power outage again and stay warm all winter long with Regency.



## DESIGN VERSATILITY



AstroCap (front)



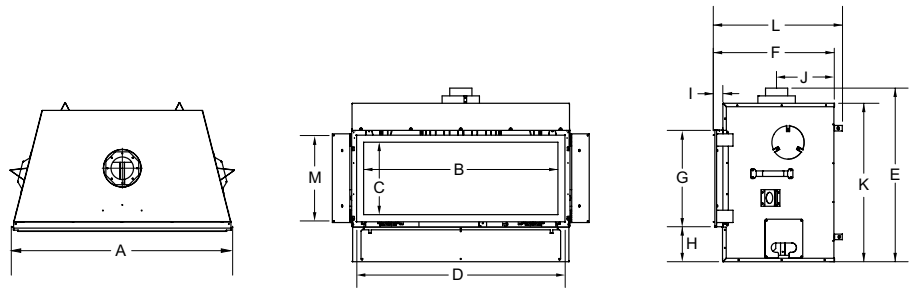
AstroCap (back)

You can enjoy the convenience of a gas fireplace anywhere in your home with a Regency direct vent fireplace. Regency direct vent fireplaces maintain indoor air quality by drawing fresh combustion air from outside through our specialized venting system into a sealed firebox and sending the used air back outdoors. Direct vent technology allows you to add a fireplace to rooms with no existing chimney. Simply vent your fireplace through an outside wall and finish it with the patented **Regency astroCap flex venting system** (11" x 11" 7-1/2" deep including mounting flange).

# SPECIFICATIONS

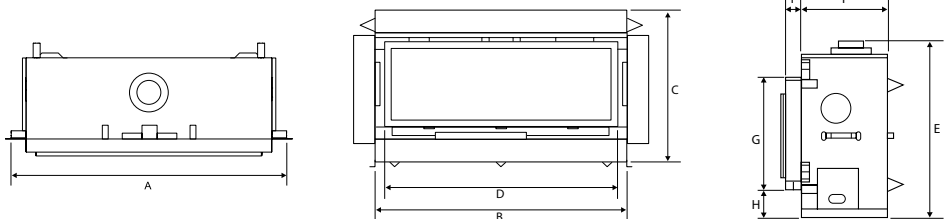
DIMENSIONS	U1500E	U900E
Flue size	5" x 8"	4" x 6-5/8"
A	49-11/16"	39-3/8"
B	45-1/4"	35"
C	13-1/2"	13-1/16"
D	48"	37-3/4"
E	32-5/8"	31-5/16"
F	22-1/16"	21-13/16"
G	18-1/16"	17-11/16"
H	6-3/16"	6-5/16"
I	1-1/2"	1-1/2"
J	9-7/8"	10-7/8"
K	29-1/16"	28-9/16"
L	23-15/16"	23-5/16"
M	16-1/4"	15-3/4"

## REGENCY ULTIMATE™ U1500E/U900E

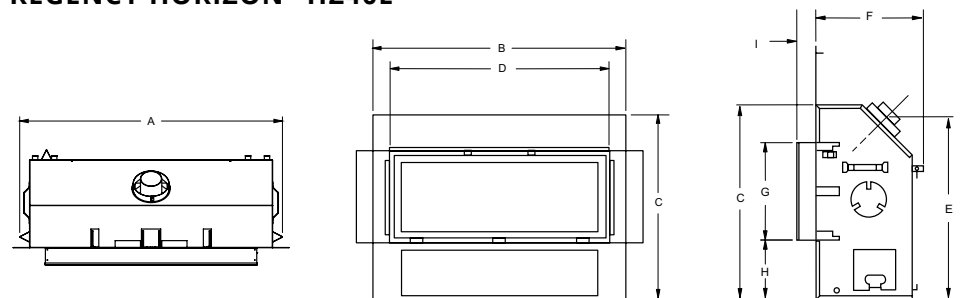


## REGENCY HORIZON® HZ54E

DIMENSIONS	HZ54E	HZ40E
Flue size	5" x 8"	4" x 6-5/8"
A	59"	49-5/16"
B	52-5/8"	45-5/8"
C	31-5/8"	33-3/16"
D	48-3/4"	38-1/4"
E	35-1/4"	31"
F	18-3/8"	18-5/16"
G	22-3/8"	16-7/8"
H	5-11/16"	10"
I	3-1/8"	3-1/4"



## REGENCY HORIZON® HZ40E

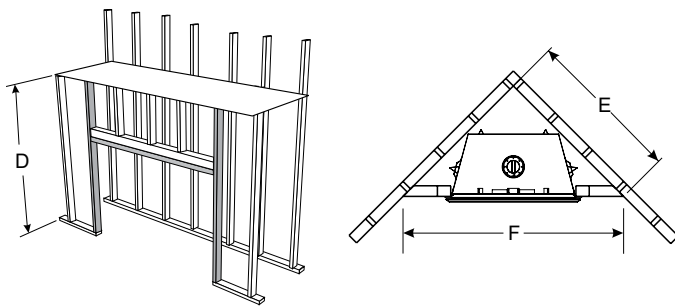


# SPECIFICATIONS

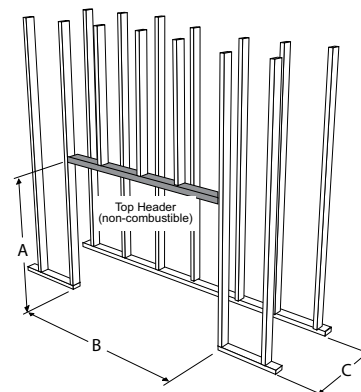
FRAMING	U1500E	U900E	HZ54E	HZ40E
A	47"	42-1/4"	46-5/8"	42"
B	55"	45"	60"	49-7/8"
C	horizontal vent	24-1/4"	22-3/4"	23-3/4"
	vertical vent	24-1/4"	22-3/4"	23-3/4"
D	flex	69-1/2"	52-1/4"	43-7/8"
	rigid	69-1/2"	52-1/4"	43-7/8"
E	65-3/4"	51-1/2"	69"	61"
F	93"	72-1/2"	97-9/16"	86-1/4"

If using optional steel stud kit refer to manual for details

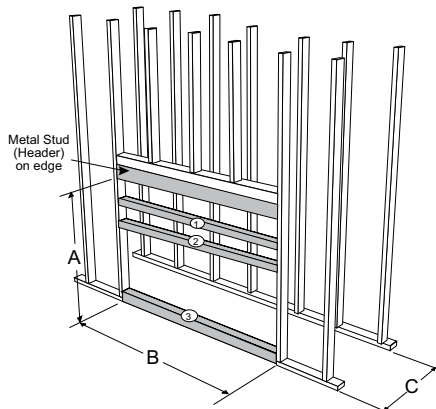
## REGENCY ULTIMATE™ U1500E/U900E & REGENCY HORIZON® HZ54E/HZ40E



## REGENCY ULTIMATE™ U1500E/U900E

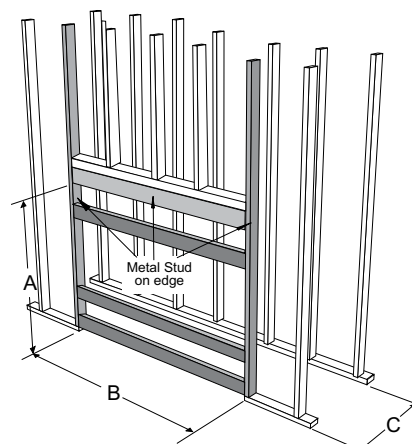


## REGENCY HORIZON® HZ54E



**Note:** Three horizontal steel studs must be installed after the unit is in position and the venting, gas and electrical is installed. The horizontal studs allow the non-combustible wall board to be attached and supported.

## REGENCY HORIZON® HZ40E



NOTE: All products can be installed in a raised application. Before installing, refer to the relevant product manual for full and up-to-date information. Manuals can be downloaded from our website [www.regency-fire.com](http://www.regency-fire.com)

# SPECIFICATIONS

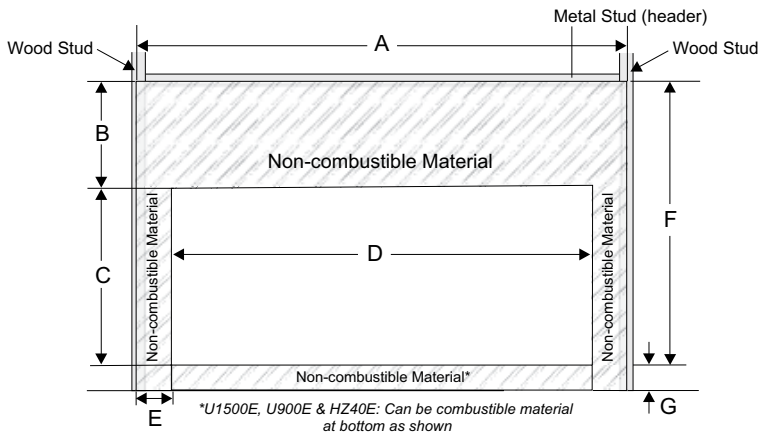
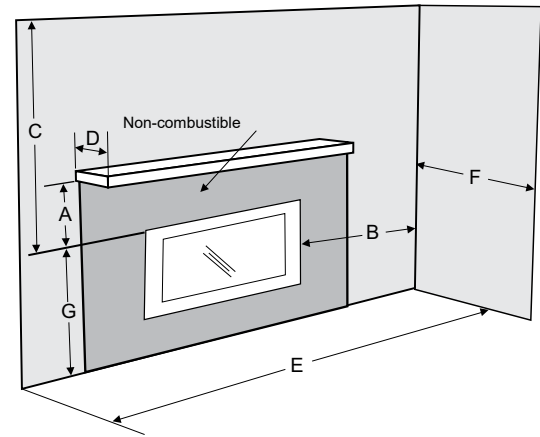
CLEARANCES	U1500E	U900E	HZ54E	HZ40E
A* (Min.)	25"	20"	20"	17"
B	6"	8"	4"	8"
C	46-1/4"	48"	40-7/8"	22"
D** (Max.)	12"	12"	13"	13"
E	60"	84"	83"	84"
F	36"	36"	36"	36"
G	24-1/4"	24"	28-7/8"	27"

\* Minimum at 1" deep

\*\* HZ30E - Minimum at 21-1/4" above

HZ42STE - Minimum at 21-1/2" above

HZ54E - Minimum at 30" above



## NON-COMBUSTIBLE REQUIREMENTS

	U1500E	U900E	HZ54E	HZ40E
A	56-1/2"	46-1/2"	60-1/2"	51-5/16"
B	23-7/8"	20"	19-7/8"	20"
C	18-1/8"	17-3/4"	22-1/2"	13-13/16"
D	50"	39-7/8"	52-7/8"	39-7/8"
E	3-1/4"	3-7/16"	3-7/8"	5-11/16"
F	42-1/8"	37-3/4"	42-3/8"	33-13/16"
G	6-3/16"	6-1/8"	5-1/2"	10"

NOTE: All products can be installed in a raised application. Before installing, refer to the relevant product manual for full and up-to-date information. Manuals can be downloaded from our website [www.regency-fire.com](http://www.regency-fire.com)

# SPECIFICATIONS

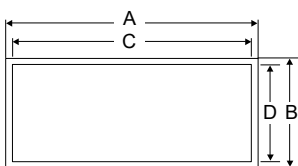
SURROUND DIMENSIONS		A	B	C	D
U1500E	Finishing trim	50-3/4"	19"	n/a	n/a
	Inner and outer frame	53-1/2"	21-3/4"	45-1/4"	13-1/2"
	Verona glass with inner frame	57-1/2"	25-3/4"	49-1/2"	17-3/4"
U900E	Finishing trim	40-1/8"	18-3/8"	39"	17-3/16"
	Inner and outer frame	43-1/16"	20-9/16"	35"	13"
	Verona glass	47"	25-1/4"	38-7/8"	17-1/4"
HZ54E	Verona 54 - glass/metal	58-9/16"	27-1/8"	50-3/4"	19-1/8"
	Inner and outer frame	56-11/16"	25-1/8"	45-3/16"	13-5/8"
HZ40E	Verona 40 - glass/metal	44"	20-7/8"	36"	12-7/8"
	Inner and outer frame	43-1/16"	20-9/16"	35-1/2"	12-1/2"

## METAL

## GLASS

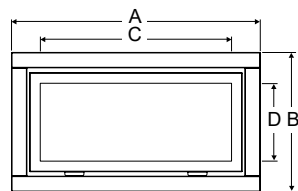
### FINISHING TRIM

Available for models:  
U1500E & U900E



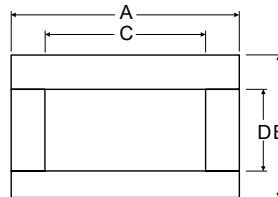
### INNER & OUTER FRAME

Available for models:  
HZ40E, HZ54E,  
U1500E & U900E



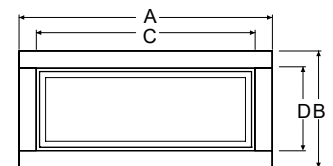
### VERONA

Available for models:  
HZ40E



### VERONA

Available for models:  
HZ54E, U1500E  
& U900E

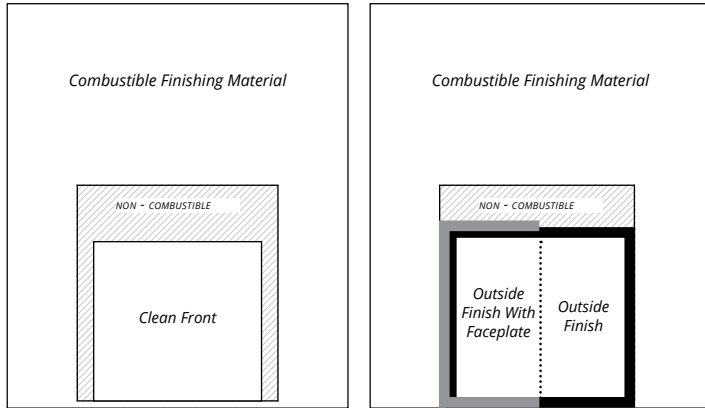


NOTE: All products can be installed in a raised application. Before installing, refer to the relevant product manual for full and up-to-date information. Manuals can be downloaded from our website [www.regency-fire.com](http://www.regency-fire.com)

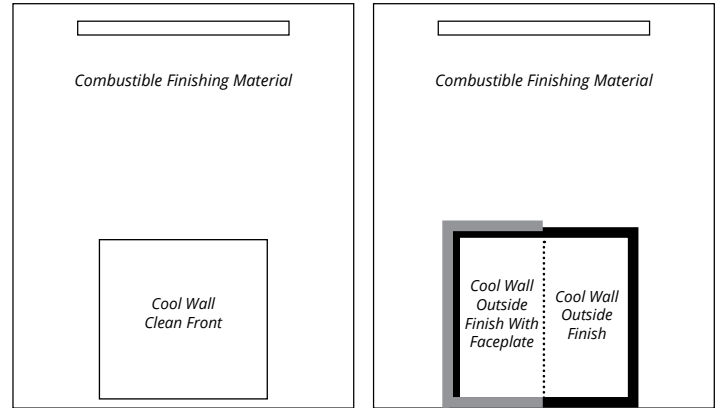
# SPECIFICATIONS

## INSTALLATION OPTIONS (G800C, G600C)

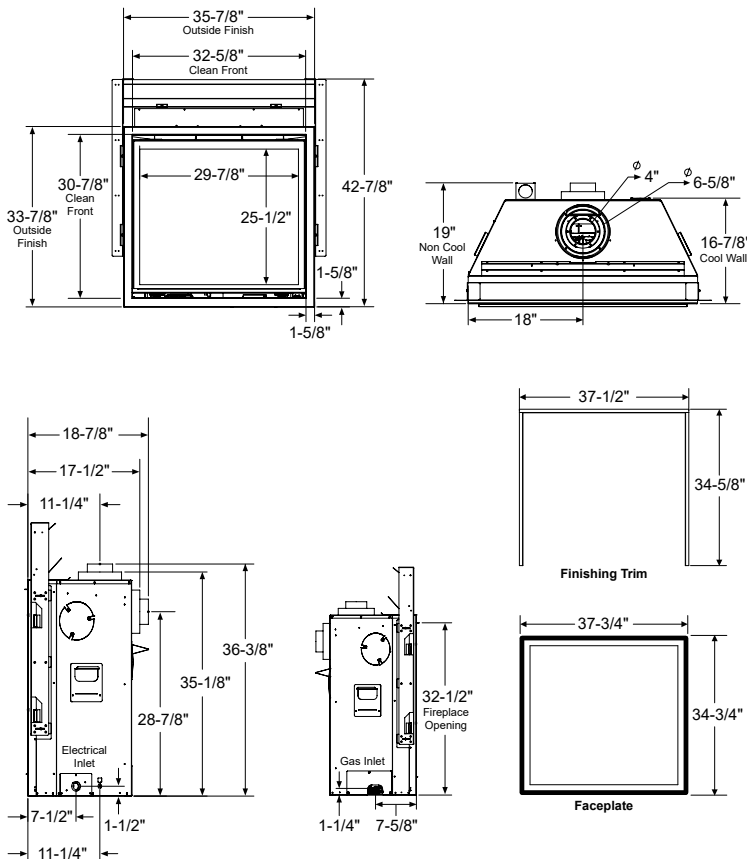
### Non-Combustible Finishing Install



### Combustible Finishing Install with Cool Wall

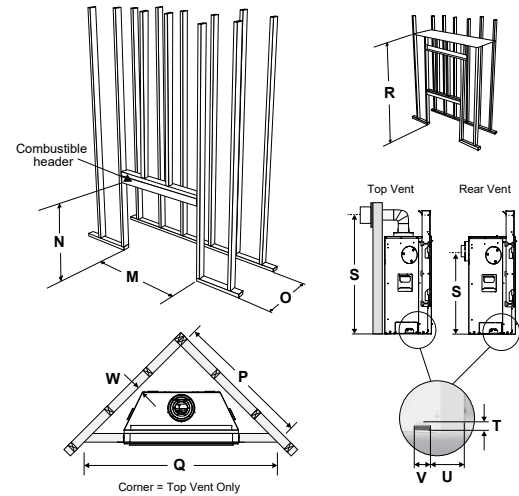


## DIMENSIONS - G800C



NOTE: For full latest up to date installation and clearances details, please always refer to the manual.

## FRAMING - G800C



IMPORTANT: Corner applications are vented from the top only - rear venting cannot be used.

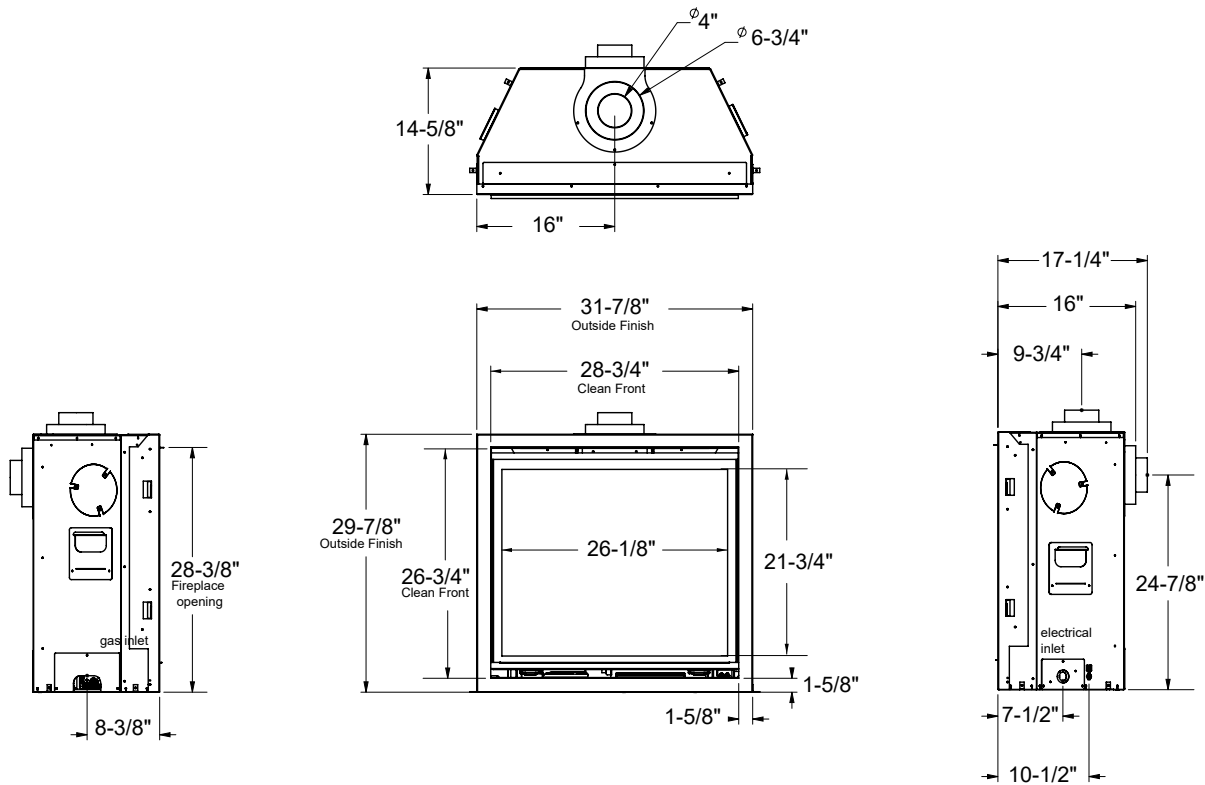
FRAMING	COOL WALL	CLEAN FRONT	OUTSIDE FINISH
M Framing Width	36-1/2"	37-1/2"	36-1/2"
N* Framing Height	43"	43"	43"
O Framing Depth	16-7/8"	19-1/4"***	19-1/4"***
P Corner Facing Wall Width	42-1/2"	46-1/2"	46-1/2"***
Q Corner Facing Wall Width	60"	65-3/4"	65-3/4"
R Framed Chase Ceiling Enclosure	80"	62"	62"
S Vent Centerline Height - Rear	29"	29"	29"
S Vent Centerline Height - Top	44"	44"	44"
T Gas Connection Height	1-1/2"	1-1/2"	1-1/2"
U Gas Connection Inset	6-3/8"	6-3/8"	6-3/8"
V Gas Connection Width	3"	3"	3"
W Clearance to Corner of Unit	2-3/4"	2-3/4"	2-3/4"
Non-combustible Material Required Above Appliance	--	11-1/2"	10"

\* Important: Framing height requires consideration of the hearth depth. Dimension N = N + the thickness of the installed hearth.

\*\* Top Vent Only

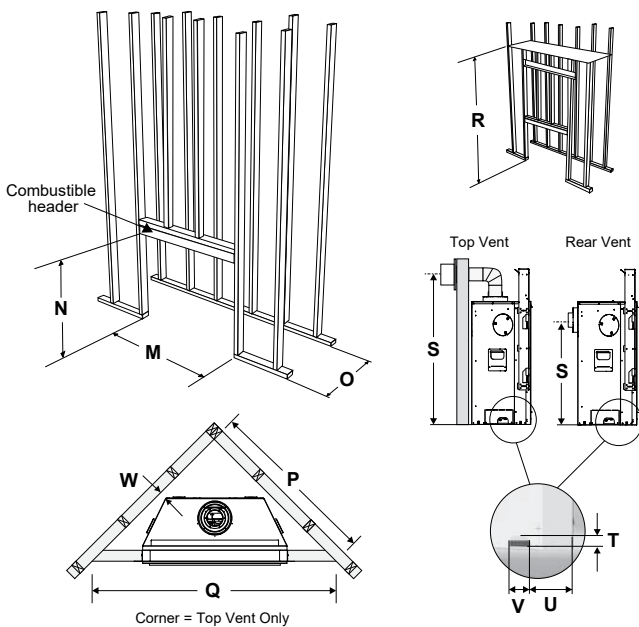
# SPECIFICATIONS

## DIMENSIONS - G600C



NOTE: For full latest up to date installation and clearances details, please always refer to the manual.

## FRAMING - G600C



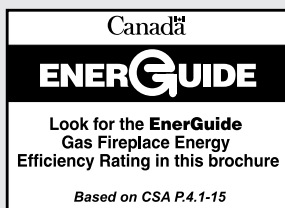
FRAMING		COOL WALL	CLEAN FRONT	OUTSIDE FINISH
M	Framing Width	33-1/2"	33-1/2"	33-1/2"
N*	Framing Height	40"	40"	40"
O	Framing Depth	15"	16-3/4"	16-3/4"
P	Corner Facing Wall Width	37-1/4"	40"***	40"***
Q	Corner Facing Wall Width	52-1/2"	57"***	57"***
R	Framed Chase Ceiling Enclosure - Rear	74-1/2"	43-1/2"	43-1/2"
R	Framed Chase Ceiling Enclosure - Top	74-1/2"	60"	60"
S	Vent Centerline Height - Rear	25"	25"	25"
S	Vent Centerline Height - Top	39-1/2"	39-1/2"	39-1/2"
T	Gas Connection Height	1-7/8"	1-7/8"	1-7/8"
U	Gas Connection Inset	8-3/8"	8-3/8"	8-3/8"
V	Gas Connection Width	3-1/2"	3-1/2"	3-1/2"
W	Clearance to Corner of Unit	1/2"	2"	2"
	Non-combustible Material Required Above Appliance	no	yes	yes

\* Important: Framing height requires consideration of the hearth depth. Dimension N = N + the thickness of the installed hearth.

\*\* Top Vent Only



Find More Products at [REGENCY-FIRE.COM](https://www.regency-fire.com)



©2023 FPI Fireplace Products International Ltd. Regency®, Regency Ultimate™, Regency Horizon®, SureFire™, HeatWave™, HeatRelease™, AstroCap®, are registered or proprietary trademarks of FPI Fireplace Products International Ltd. All rights reserved.

Printed in Canada (08/23)

Part no. 944-286

Your Regency Dealer